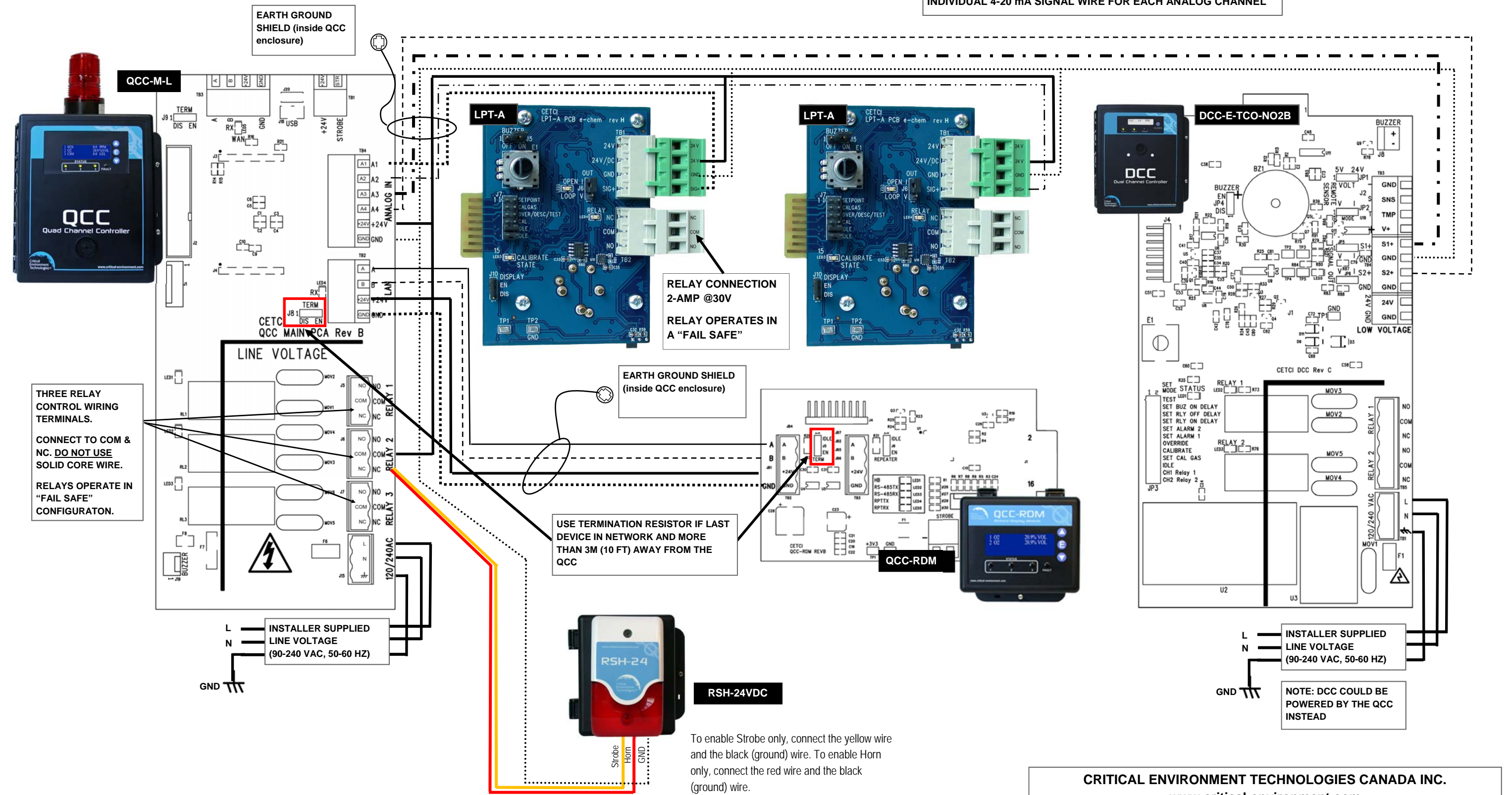


INDIVIDUAL 4-20 mA SIGNAL WIRE FOR EACH ANALOG CHANNEL



THREE RELAY CONTROL WIRING TERMINALS.
CONNECT TO COM & NC. **DO NOT USE** SOLID CORE WIRE.
RELAYS OPERATE IN "FAIL SAFE" CONFIGURATON.

RELAY CONNECTION 2-AMP @30V
RELAY OPERATES IN A "FAIL SAFE"

EARTH GROUND SHIELD (inside QCC enclosure)

USE TERMINATION RESISTOR IF LAST DEVICE IN NETWORK AND MORE THAN 3M (10 FT) AWAY FROM THE QCC

To enable Strobe only, connect the yellow wire and the black (ground) wire. To enable Horn only, connect the red wire and the black (ground) wire.

Wired as shown, the Strobe & Horn operate together.

NOTE: DCC COULD BE POWERED BY THE QCC INSTEAD

CRITICAL ENVIRONMENT TECHNOLOGIES CANADA INC.
www.critical-environment.com

QCC WITH LPT-A ANALOG TRANSMITTERS AND DUAL CHANNEL DCC WITH REMOTE STROBE USING RELAY WIRING CONNECTION DRAWING

REV-A July 6, 2017