

Humidity & Temperature Transmitter

E2228


 4-20 mA
 0-10 V

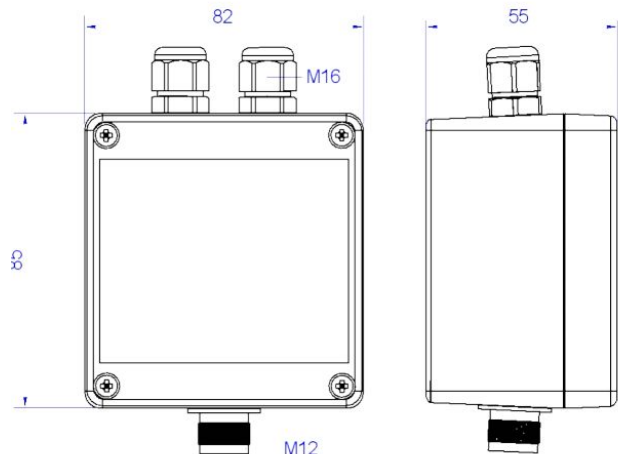
 RS485
 Modbus


Features

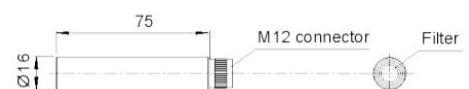
- Excellent repeatability and stability
- Fully calibrated and temperature compensated
- Heavy duty IP65 protected enclosure
- 0-10 V or 4-20 mA switchable analog outputs
- Two relays for thermostat / hygostat functionality
- RS485 Modbus RTU digital interface
- Range of remote probes

Specifications

Sensor	Digital combined RH and T sensor
Measurement range	0...100 %RH, -40...+85 °C or -40...+125 °C (with heavy duty probe HT-RP16H), non-condensing
Calculated parameters	Dew point, absolute humidity
Resolution	0,01 %RH / 0,01 °C
Accuracy	±2,5 %RH (optionally ±1,8 %RH) ±0,3 °C
Response time	~15 seconds
Self-diagnostics	Full functionality check at start-up
Warm-up time	≤ 1 s
Power supply	12...36 VDC (default), 24 VAC or 230 VAC as options
Power consumption	< 1,5 VA
Digital interface	RS485, Modbus RTU protocol
Analog outputs	2 × 4-20 mA / 0-10 V, user settable, freely configurable scales
Output relays	2 × SPST relays (closing contact), 250 VAC / 30 VDC, 5 A max
Cable connections	Screwless terminal blocks
Probe connector	Round industrial M12, IP68
Enclosure	Grey ABS, wall mount, protection class IP65
Dimensions	H85 × W82 × D55 mm
Operating environment	Industrial indoor and outdoor places
Operating conditions	-40...+85 °C, 0...100 %RH (non-condensing)
Attached probe HT-RP16	M12 connector-based, Ø16×L75 mm
Micro-probe HT-RP04	st. steel Ø4×L50 mm with vent slots, cable 2,5 m or 5 m, -40...+85 °C
Remote probe HT-RP16	Black painted aluminium Ø16×L75 mm, M12 plug, PVC cable 2,5 or 5 m, -40...+85 °C
Heavy duty probe HT-RP16H	Black painted aluminium Ø16×L75 mm, for harsh environment PTFE cable 2,5 or 5 m, -40...+125 °C



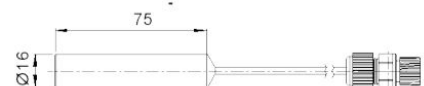
Sensor probe HT-RP16



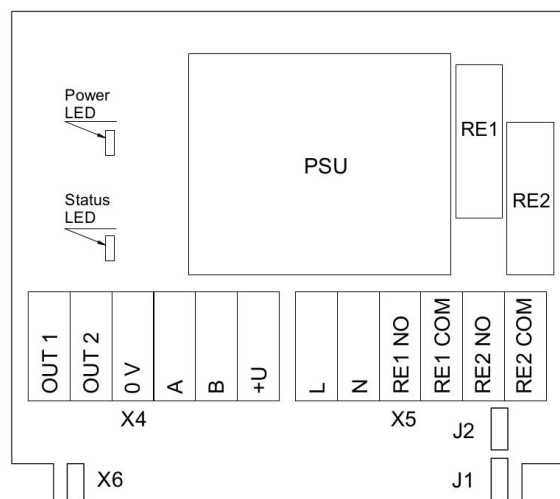
Sensor probe HT-RP04



Sensor probe HT-RP16-H



Connection diagram



Jumpers

J1 OUT1 type (open: 4-20 mA; closed 0-10 V)
J2 OUT2 type (open: 4-20 mA; closed 0-10 V)
X6 Reset Modbus network parameters to default

X4 terminals

OUT1 4-20 mA / 0-10 V output
OUT2 4-20 mA / 0-10 V output
0V 0 V / 24 VAC Neutral (optional)
A RS485 A / Data +
B RS485 B / Data -
+U +24 VDC / 24 VAC Phase (optional)

X5 terminals (optional)

L 90...265 VAC Phase
N 90...265 VAC Neutral
RE1 NO Relay 1, normally open terminal
RE1 COM Relay 1, common terminal
RE2 NO Relay 2, normally open terminal
RE2 COM Relay 2, common terminal



Authorized Distributor
 APL ASIA CO., LTD.
 11/129-132 Moo.5 Lamlukka Rd., T.Kookut, A.Lamlukka, Pathumthani 12130 Thailand.
 TEL. 0-2995-4461-3, FAX. 0-2995-4464
 www.apl-asia.com
 EMAIL : sales@apl-asia.com
 LINE@ : @APL-ASIA