



PORTABLE SINGLE GAS DETECTOR

The AGH5100 & AGH5100M portable gas detector can detect toxic gases in the ambient environment. The product is fully gripped, compact, and a built-in advanced electrochemical sensor for a fast response. The double-layered body design suitable for harsh environments and single-button operation greatly reduces the possibility of misoperation.

Features

- Compact and light, it is easy to wear in a helmet, belt, etc.
- PC+TPU double-layer body, wear-resistant and drop-resistant, suitable for harsh conditions.
- Specially designed PCB board, effective against electromagnetic interference, stable work.
- High-brightness LCD display, sound, light, vibration alarm method.
- Built-in high-performance lithium-ion battery for over 20 days of operation.
- One-button design, easy to use, reducing the possibility of misoperation.
- Compatible with a external sampling pump for confined space usage.

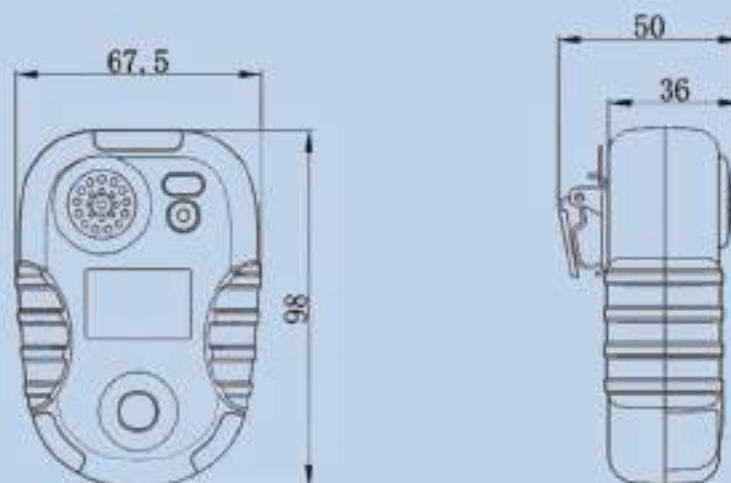


Specifications

Description	Specifications	AGH5100	AGH5100M
Function			
gas detected	toxic gas, O ₂ O ₂ /CO/H ₂ S/SO ₂	● -	- ●
measure range	see QUICK-SELECTION-TABLE	●	●
response time*	T ₉₀ ≤30/60/180S	●	●
accuracy*	≤±5%FS	●	●
repeatability*	≤2%FS	●	●
sampling method	diffusion	●	●
Electric			
battery	rechargeable Li-battery 3.7V 1500mAh CR2 Li-battery 3V 1400mAh	● -	- ●
continuous operation	over 20 days in room temp. 2 year	● -	- ●
Alarm			
alarm method	Sound,LED light,vibration	●	●
sound intensity	>90dB	●	●
Display and Operation			
display	segment code LCD screen	●	●
Environment			
ingress protection	IP67	●	●
operating temp.	-20℃ ~60℃	●	●
operating humidity	10~95%RH non-condensing	●	●
operating pressure	80-120kPa	●	●
Structure			
body material	PC+TPU	●	●
weight	About 139g	●	●
dimensions	98*67.5*50mm(H*W*D)	●	●
Certificates			
EX	Exib II CT4 Gb Exia II CT4 Ga	● -	- ●

Note:* refers to there's some difference vary from different gas, please contact the manufacturer for details.

Dimensions





PORTABLE GAS DETECTOR

In the daily production of petrochemical engineering, steel, and chemical engineering industries, workers often encounter with flammable and toxic gases of various sorts, and accidents are easy to take place without proper safety protection. As a kind of personal safety protection instrument, portable gas detector plays an important role in industrial production safety.

The portable gas detector is small in size and easy to carry. It can be used for workshop routing inspection for side leakage, as well as in confined spaces such as flame operation inspection.



diffusion type gas detector

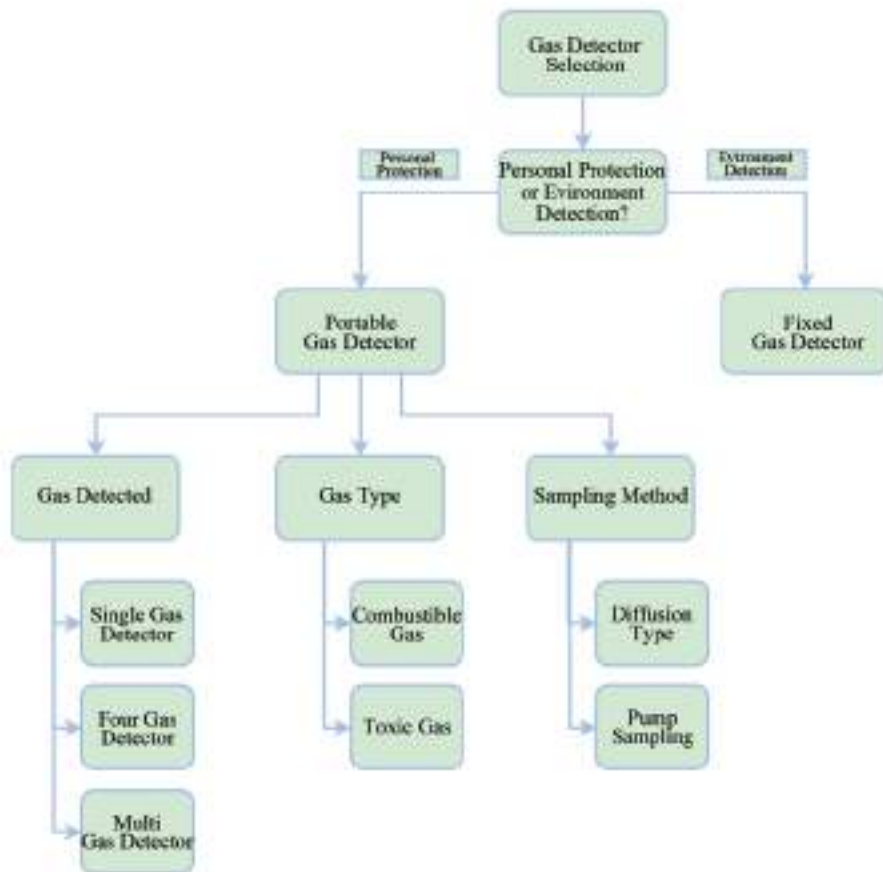


build-in pump gas detector



external pump gas detector

SELECTION GUIDE



QUICK SELECTION TABLE 4 -- PORTABLE GAS DETECTOR

Description	AGH5100	AGH5100M	AGH6100	AGH6100F	AGH6200	AGH6200F	AGH8100	AGH8200
The number of sensors								
1	●	●	-	●	-	●	●	●
4 in 1	-	-	-	-	●	-	-	-
1-4, optional	-	-	●	-	-	-	-	-
Gas detected								
combustible gas-catalytic	-	-	●	●	●	●	-	-
combustible gas-semiconductor	-	-	-	-	-	-	●	●
toxic gas-electrochemical	●	●	●	-	●	-	-	-
toxic gas-PID	-	-	●	-	-	-	-	-
toxic gas-infrared	-	-	●	-	-	-	-	-
Sampling method								
diffusion	●	●	●	●	●	●	-	●
built-in pump	-	-	-	-	-	-	●	-
Certificates								
CPA	●	●	●	●	●	●	●	-
EX	●	●	●	●	●	●	●	●
ATEX	-	-	●	●	-	-	-	-
CCCF	-	-	-	-	-	●	-	-

QUICK SELECTION TABLE 5 – GAS DETECTED

Gas	Measure Range	Principle	Resolution	AGH5100	AGH5100M	AGH6100	AGH6100F	AGH6200	AGH6200F	AGH8100	AGH8200
Combustible gas	EX	0-100%LEL	catalytic	1%LEL	-	●	●	●	●	-	-
Methane	CH ₄	0-1000µmol/mol	Semiconductor	1µmol/mol	-	-	-	-	-	●	●
Oxygen	O ₂	0-30%VOL 0-25%VOL	Electrochemical	0.1%VOL	●	●	●	-	●	-	-
Carbon monoxide	CO	0-1000µmol/mol	Electrochemical	1µmol/mol	●	●	●	-	●	-	-
Hydrogen sulphide	H ₂ S	0-100µmol/mol	Electrochemical	1µmol/mol	●	●	●	-	●	-	-
Chlorine	Cl ₂	0-10µmol/mol	Electrochemical	0.1µmol/mol	●	-	●	-	-	-	-
Sulphur dioxide	SO ₂	0-20µmol/mol	Electrochemical	0.1µmol/mol	●	●	●	-	-	-	-
Ammonia	NH ₃	0-100µmol/mol	Electrochemical	1µmol/mol	●	-	●	-	-	-	-
Nitric oxide	NO	0-250µmol/mol	Electrochemical	1µmol/mol	●	-	●	-	-	-	-
Nitrogen dioxide	NO ₂	0-20µmol/mol	Electrochemical	0.1µmol/mol	●	-	●	-	-	-	-
Hydrogen chloride	HCL	0-30µmol/mol	Electrochemical	0.1µmol/mol	●	-	●	-	-	-	-
Ozone	O ₃	0-1µmol/mol	Electrochemical	0.01µmol/mol	●	-	●	-	-	-	-
Ethylene oxide	C ₂ H ₄ O	0-20µmol/mol	Electrochemical	0.1µmol/mol	●	-	●	-	-	-	-
Formaldehyde	CH ₂ O	0-20µmol/mol	Electrochemical	0.1µmol/mol	●	-	●	-	-	-	-
Methanol	CH ₃ OH	0-20µmol/mol	Electrochemical	0.1µmol/mol	●	-	●	-	-	-	-
Phosphine	PH ₃	0-5µmol/mol	Electrochemical	0.1µmol/mol	●	-	●	-	-	-	-
Hydrogen	H ₂	0-1000µmol/mol	Electrochemical	1µmol/mol	●	-	●	-	-	-	-
Fluorine	F ₂	0-1µmol/mol	Electrochemical	0.01µmol/mol	●	-	●	-	-	-	-
Hydrogen fluoride	HF	0-10µmol/mol	Electrochemical	0.1µmol/mol	●	-	●	-	-	-	-
Hydrogen cyanide	HCN	0-50µmol/mol	Electrochemical	0.1µmol/mol	●	-	●	-	-	-	-
Phosgene	COCL ₂	0-1µmol/mol	Electrochemical	0.01µmol/mol	●	-	●	-	-	-	-
Arsenic hydride	AsH ₃	0-1/20µmol/mol	Electrochemical	0.01µmol/mol	●	-	●	-	-	-	-
Silane	SiH ₄	0-50µmol/mol	Electrochemical	0.1µmol/mol	●	-	●	-	-	-	-
Acrylonitrile	C ₃ H ₃ N	0-20µmol/mol	Electrochemical	0.1µmol/mol	●	-	●	-	-	-	-
Carbon disulfide	CS ₂	0-20µmol/mol	Electrochemical	0.1µmol/mol	●	-	●	-	-	-	-
Ethanol	C ₂ H ₅ OH	0-20µmol/mol	Electrochemical	0.1µmol/mol	●	-	●	-	-	-	-
Methane	CH ₄	0-5%/100%VOL	Infrared	0.1%VOL	-	●	-	-	-	-	-
Carbon dioxide	CO ₂	0-5%/100%VOL	Infrared	0.1%VOL	-	●	-	-	-	-	-
Toluene	C ₇ H ₈	0-20µmol/mol	PID	0.1µmol/mol	-	●	-	-	-	-	-
Xylene	C ₈ H ₁₀	0-20µmol/mol	PID	0.1µmol/mol	-	●	-	-	-	-	-
Benzene	C ₆ H ₆	0-20µmol/mol	PID	0.1µmol/mol	-	●	-	-	-	-	-
Acetic acid	C ₂ H ₄ O ₂	0-1000µmol/mol	PID	1µmol/mol	-	●	-	-	-	-	-
Volatile organic compounds	VOC	0-20µmol/mol 0-1000µmol/mol	PID	0.1µmol/mol 1µmol/mol	-	●	-	-	-	-	-

Note: 1, Any gas that not mentioned above, just contact AIYI Technologies for further information; 2, 1µmol/mol=1ppm





OFFICIAL WEBSITE



AIYI Technologies

TEL: 0086-25-87787361 FAX: 0086-25-87787362
WEB: www.AIYITEC.com EMAIL: sales@aiyitec.com

Authorized Distributor:



Authorized Distributor
APL (SEA) CO., LTD.
111/29-132 Moo.5 Lamphukha Rd., T.Ploochat, A.Lamphukha, Pathumthani 12110 Thailand
TEL: 0-2995-4461-3 FAX: 0-2995-4464
www.apl-aaa.com
EMAIL: sales@apl-aaa.com
LINE@ : @APL-AAA

Disclaimer: All pictures, configurations and parameters in this document are for reference only. There may be differences with the actual products. Any difference is subject to the latest real products.