

Push-in thermocouple sensor assemblies ET621

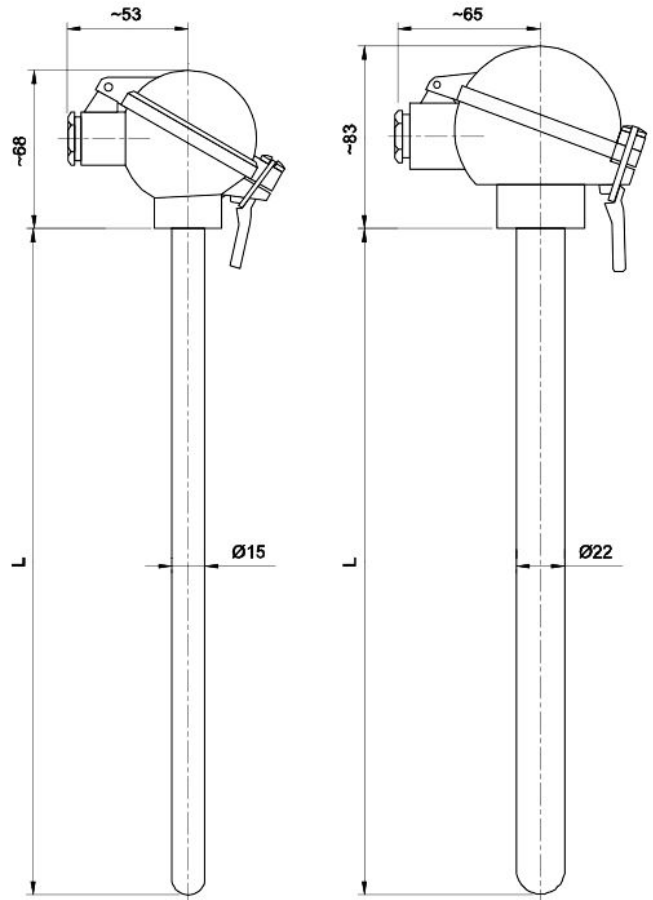


Features

- Thermocouple type K
- Steel protection tube Ø15 or Ø22 mm
- Insertion length up to 1400 mm
- Spherical terminal head with hinged cover
- In-head 4-20 mA transmitter option

Specifications

Thermocouple	Type K, Class 1, mineral insulated, 0...+1150 °C, peak +1250 °C, Inconel 600 insert Ø4,5 mm
Protection tube options	7: AISI446 / EN1.4762 steel, <1200 °C High resistance to sulphurous gases, poor resistance to nitrogenous gases 8: AISI310 / EN1.4841 steel, <1200 °C High resistance to nitrogenous and low-oxygen gases, poor resistance to sulphurous gases Ø15×2 mm or Ø22×2 mm, length L
Terminal head	spherical with hinged cover, aluminium alloy, protection IP54 small SUZ (for holding tube Ø15 mm) large BUZ (for holding tube Ø22 mm)
Terminal block option	-CS: ceramic, screw connections
Transmitter option	-A-T1-T2: 4-20 mA, range T1-T2 °C
Accessories	
MB1-15/-22	adjustable screw fitting for holding tube Ø15/22 mm, weld type, <300 °C
MB2-15/-22	adjustable screw fitting for holding tube Ø15/22 mm, flange type, <300 °C
FS12T-15	compression fitting for tube Ø15 mm, stainless steel, G1/2" outer thread
FS11T-15/-22	compression fitting for tube Ø15/22 mm, Zinc plated steel, G1" outer thread
Ordering examples	ET621-8D15L500-CS ET621-7D22L750-A-0-1200 MB2-22



Standard insertion lengths L = 250 / 500 / 750 / 1000 / 1400 mm



Authorized Distributor
APL ASIA CO., LTD.
11/129-132 Moo.5 Lamlukka Rd., T.Kookut, A.Lamlukka, Pathumthani 12130 Thailand.
TEL. 0-2995-4461-3, FAX. 0-2995-4464
www.apl-asia.com
EMAIL : sales@apl-asia.com
LINE@ : @APL-ASIA